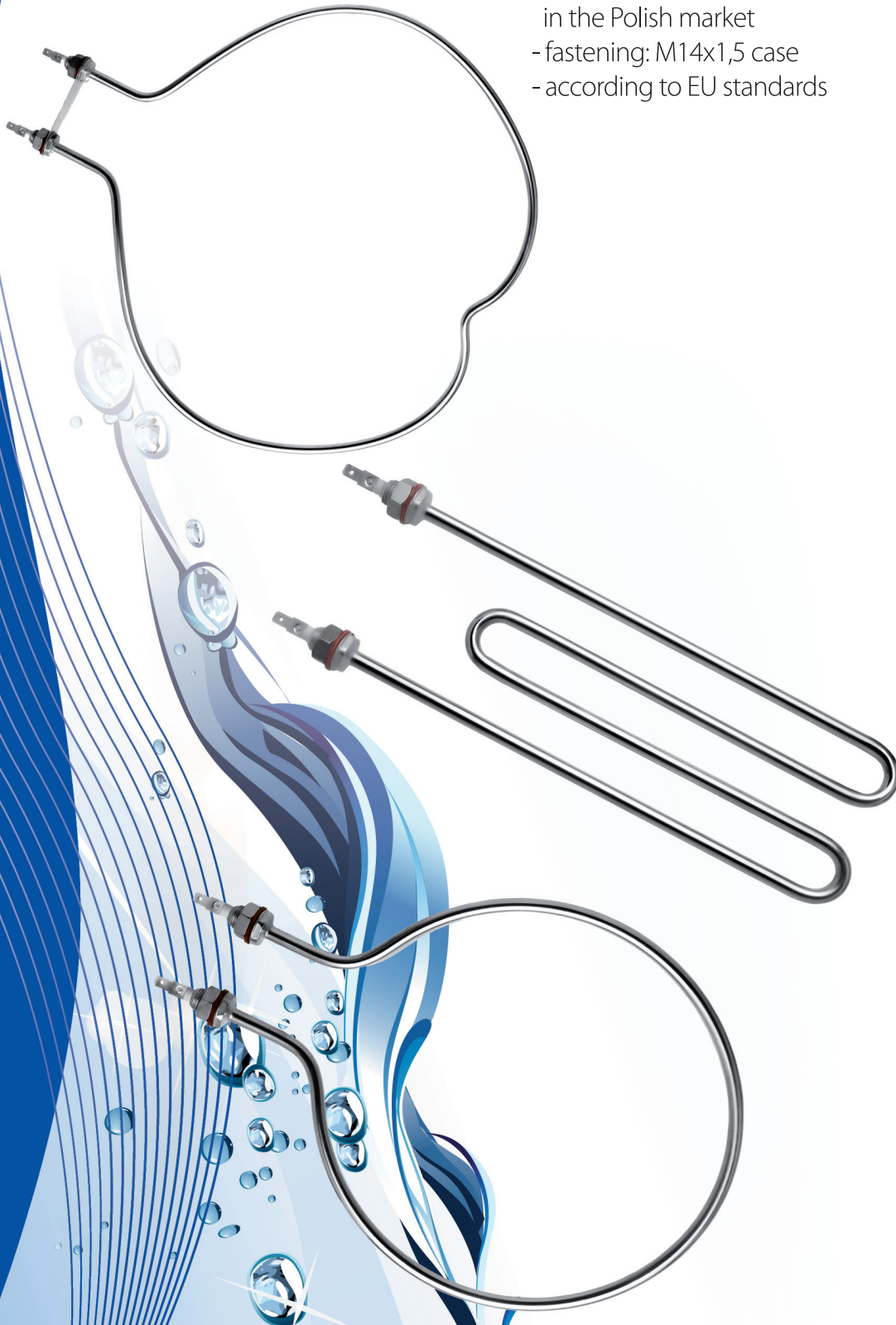




M-TYPE AND Ω -TYPE TUBULAR IMMERSION HEATERS FOR STEAMERS

GRP

- immersion heaters intended for steamers
- heaters' diameter adjusted for steamers available in the Polish market
- fastening: M14x1,5 case
- according to EU standards



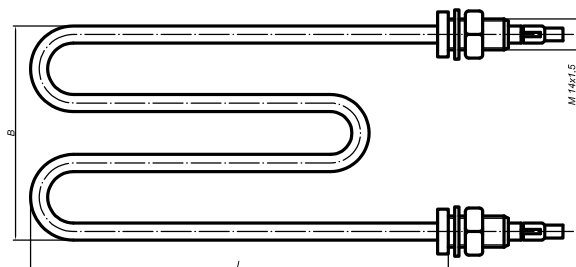
TUBULAR IMMERSION HEATER

HEATING ELEMENTS

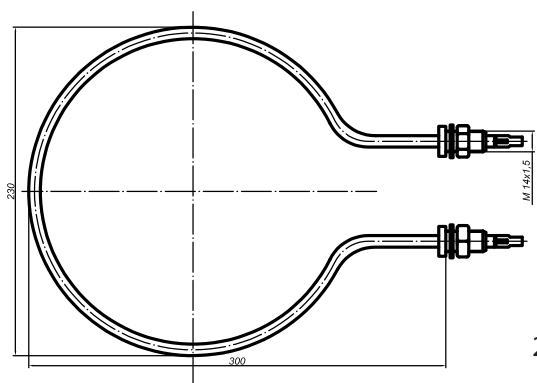
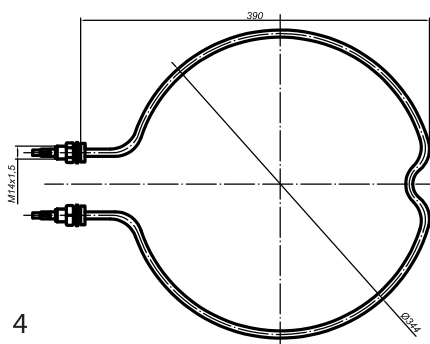


M-TYPE AND Ω -TYPE TUBULAR IMMERSION HEATERS FOR STEAMERS

GRP



No.	L	B
1	200	80
3	230	80
5	250	80



GRP heating elements are popular and economical heaters used in such devices as agricultural steamers, helping to evaporate potatoes and other root crops. The way of bending makes the heating element a perfect match for the device. M14x1,5 case fastening enables a quick and convenient maintenance.

SPECIFICATIONS

No.	Index	Name	Power	Volt.
1.	W015	IMMERSION HEATER GRP 1,4 M	1400W	230V
2.	W016	IMMERSION HEATER GRP 1,4 OM	1400W	230V
3.	W053	IMMERSION HEATER GRP 1,6 M	1600W	230V
4.	W043	IMMERSION HEATER GRP 1,4 OMD	1400W	230V
5.	W025	IMMERSION HEATER GRP 2,0 M	2000W	230V

TUBULAR HEATING MODULE
HEATING ELEMENTS



ELIKO Przedsiębiorstwo Produkcyjno Usługowo Handlowe
Elżbieta Mońka, Roman Mońka - Sp. Jawna
ul. Częstochowska 30, 42-274 Konopiska
Telefon: (+48) 34 328 23 21, (+48) 34 328 20 45, (+48) 34 328 37 48
Fax: (+48) 34 328 20 44, info@eliko.pl, www.eliko.pl